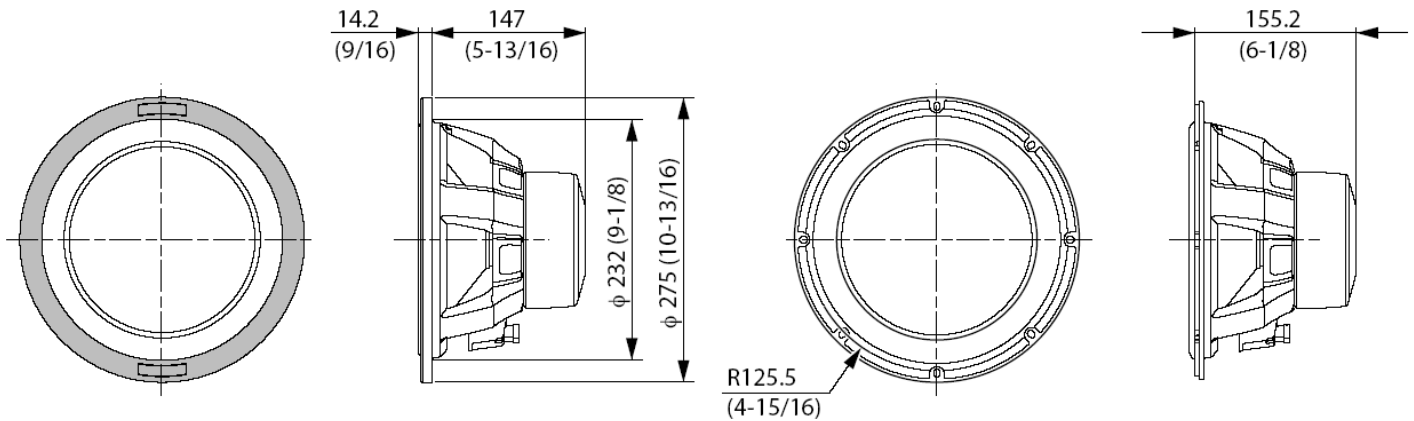


KFC-XW1022D / KFC-XW1024D

Specifications

	KFC-XW1024D	KFC-XW1022D
Subwoofer	250 mm (10") Carbon-Glass Fiber Cone	
Nominal impedance	4 Ω + 4 Ω	2 Ω + 2 Ω
Peak input power	800 W + 800 W	
RMS input power	250 W + 250 W	
Sensitivity	84 dB/W at 1 m	83 dB/W at 1 m
Free air resonance	42 Hz	30 Hz
Frequency response	36 - 500 Hz	34 - 500 Hz
Net weight	4,600 g	

Dimensions



Unit : mm (inch)
Unitè : mm (pouces)
Unidad : mm (pulgada)
Unidade: mm (pol.)
الوحدة : مم (بوصة)

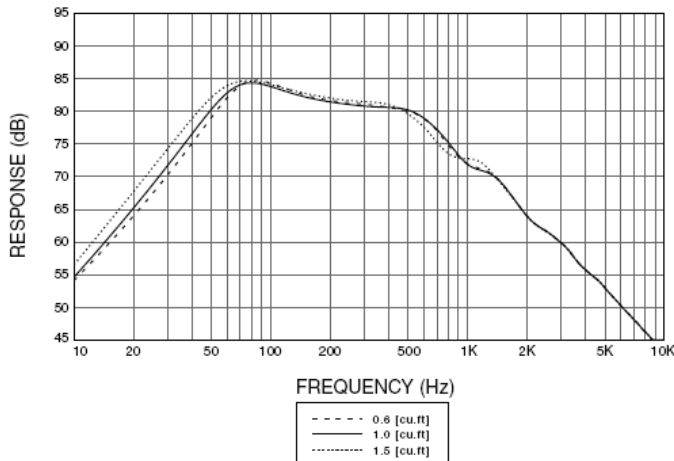
Technical specifications

	SYMBOL	UNIT	VALUE	
			KFC-XW1024D	KFC-XW1022D
Nominal impedance	Z	Ω	4 + 4	2 + 2
DC resistance	Revc	Ω	3 + 3	1.5 + 1.5
Voice coil inductance	Levc	mH	0.56	0.67
Piston area	Sd	sq.m	0.035	0.035
Force factor	BL	T.m	6.66	6.64
Volume acoustic compliance	Vas	Liters	25.48	25.81
		cu.ft	0.899	0.912
Moving mass	Mms	g	94.2	156.5
Resonance frequency	Fs	Hz	42.4	32.7
Mechanical Q factor	Qms		3.892	5.13
Electrical Q factor	Qes		0.848	0.546
Total Q factor	Qts		0.696	0.494
Peak power		W	800 + 800	800 + 800
Peak excursion	Xmax	mm	6.9	8.2
Displacement		cc	1,790	1,790
		cu.ft	0.063	0.063
Mounting depth		mm (in.)	147 (5-13/16)	147 (5-13/16)
Weight of magnet		g (oz)	1,700 (59.8)	1,700 (59.8)
Voice coil diameter		mm (in.)	50 (1-15/16)	50 (1-15/16)

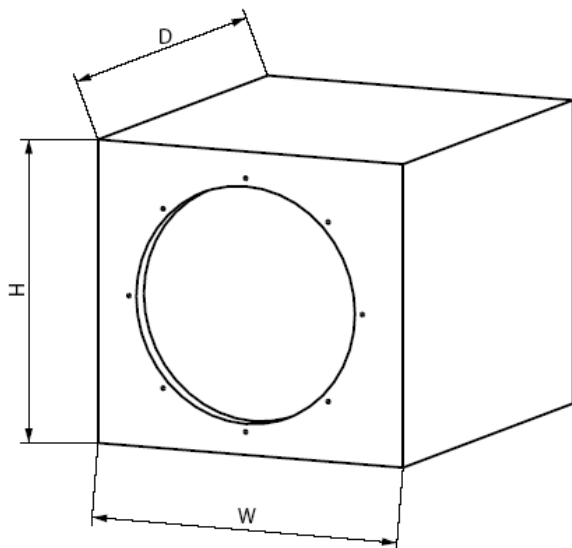
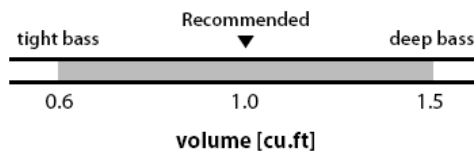
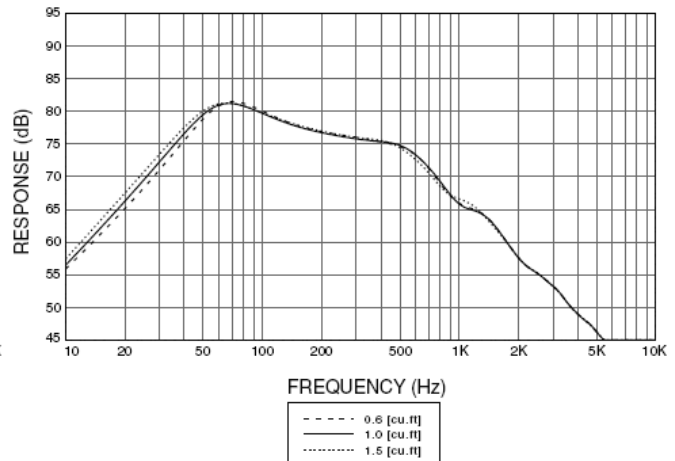
Recommended Enclosures

SEALED

KFC-XW1024D



KFC-XW1022D



* W, H, D : External Dimensions

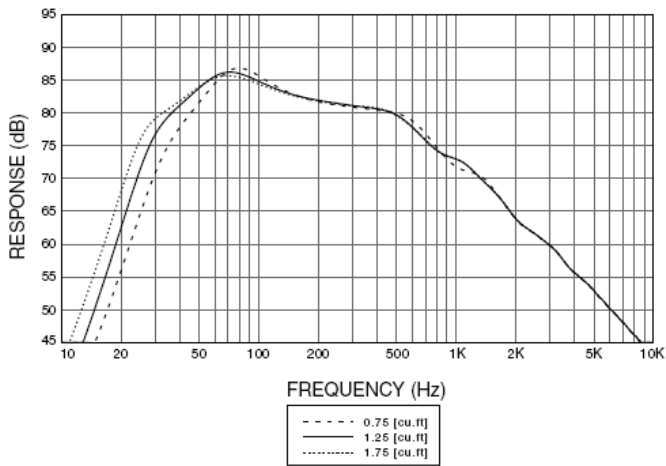
Type	Inner Volume	W	H	D	Mounting Hole	Displacement
SEALED	1 cft (25.3 Liter)	330 mm (13")	375 mm (14-3/4")	325 mm (12-13/16")	235 mm (9-1/4")	0.06 cu.ft

Use 19mm (3/4 inch) thick Medium Density Fiberboard (MDF) or High Density Particleboard.

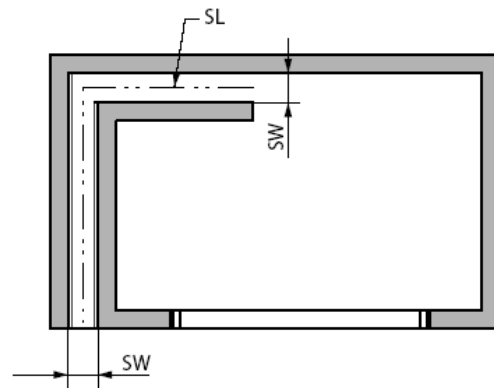
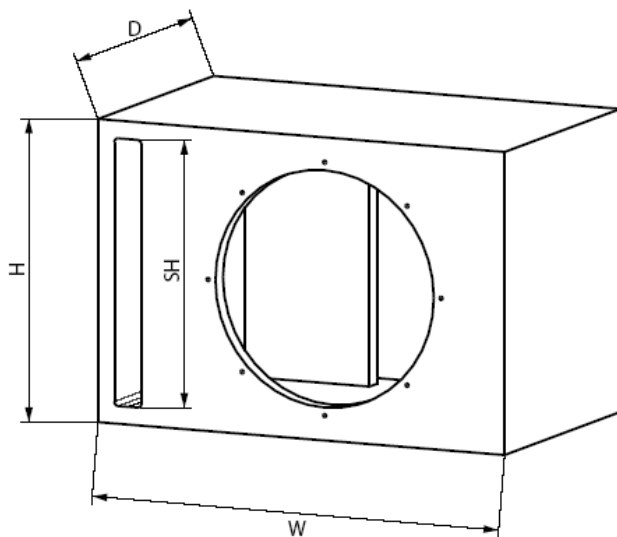
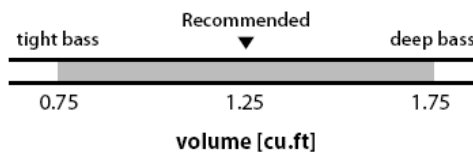
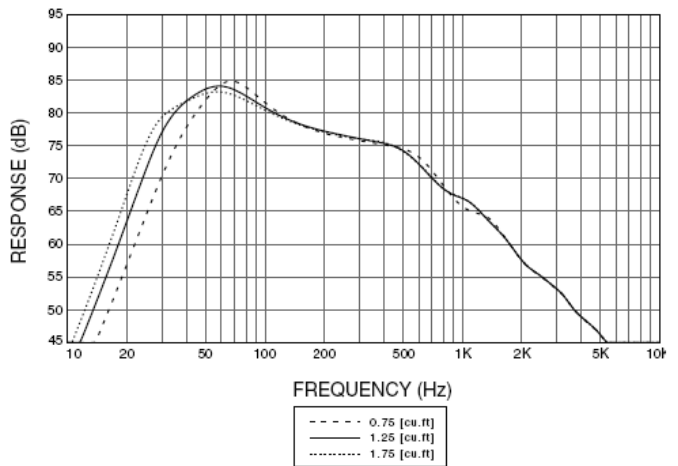
Recommended Enclosures

PORTED

KFC-XW1024D



KFC-XW1022D



* W, H, D : External Dimensions

Type	Inner Volume	W	H	D	Mounting Hole	SW	SH	SL	Displacement
PORTED	1.25 cft (35.4 Liter)	485 mm (19-1/8")	340 mm (13-3/8")	300 mm (11-13/16")	235 mm (9-1/4")	35 mm (1-3/8")	302 mm (11-7/8")	480 mm (18-7/8")	0.06 cu.ft

Use 19mm (3/4 inch) thick Medium Density Fiberboard (MDF) or High Density Particleboard.